



BEHRINGER

Medical gas devices



GIGANT/R third source module

Product description

Control module for medical gases, consisting of one GIGANT/R model regulator, two pressure gauges with CW614N brass body, aluminum cap and a High Pressure shut-off valve. The inlet connection is specific for the gas used, the outlet is fitted with a \varnothing 22 mm weld-on pipe connector. Its maximum nitrogen capacity at 7.5 bar outlet pressure is 150 Nm³/h, 2500 NI/min. The pressure regulator High Pressure gauge has electrical contacts, and is pre-calibrated with a 100 bar alarm threshold (30 for NO₂ and CO₂) and can be connected to an alarm control unit to signal source empty. The module is protected from

atmospheric agents by a satin-finish AISI 316 stainless steel box with transparent PLEXIGLAS windows for checking the pressure gauges. For easy wall mounting, all components are installed on a satin-finish AISI 316 stainless steel plate.

Normatives

UNI EN ISO 10524-2:2006 | UNI EN ISO 9001:2008 | UNI CEI EN ISO 14971:2012 | UNI CEI EN ISO 13485:2004 | UNI EN ISO 15001:2012

Components

One GIGANT/R pressure regulator the body of which is made of CW614N brass, aluminum cap and stainless steel pressure adjustment set screw.

N. One overpressure discharge valve integrated into the CW614N brass regulator, with drain that can be connected using a \varnothing 22 mm weld-on pipe connector.

N. One gas-specific inlet.

N. One outlet with \varnothing 22 mm weld-on pipe connector.

N. One CW614N brass High Pressure shut-off valve.

N. One CW614N brass check valve.

N. One pressure gauge on the High Pressure regulator with electrical contacts, range 0-315 bar, class 2.5.

N. One pressure gauge on the Low Pressure regulator, scale 0-16 bar, class 2.5.N.

One sintered bronze inlet filter (filtration grade < 100 μ m).

Stainless steel springs.

VITON O-Ring for O₂, NBR O-ring for other gases.

NYLON seal seat for O₂, TEFLON seal seat for other gases.

VITON O-Ring for O₂, NBR O-ring for other gases.

Nylon gaskets.

Satin-finish AISI 316 steel cover.

Satin-finish AISI 316 steel fixing plate.

Behringer S.r.l. via Gualco 4, 16165 Genova ITALY

T +39 010 8309103

F +39 010 8309183

e-mail info@behringer.it

C.F. e P.I. 01167840998

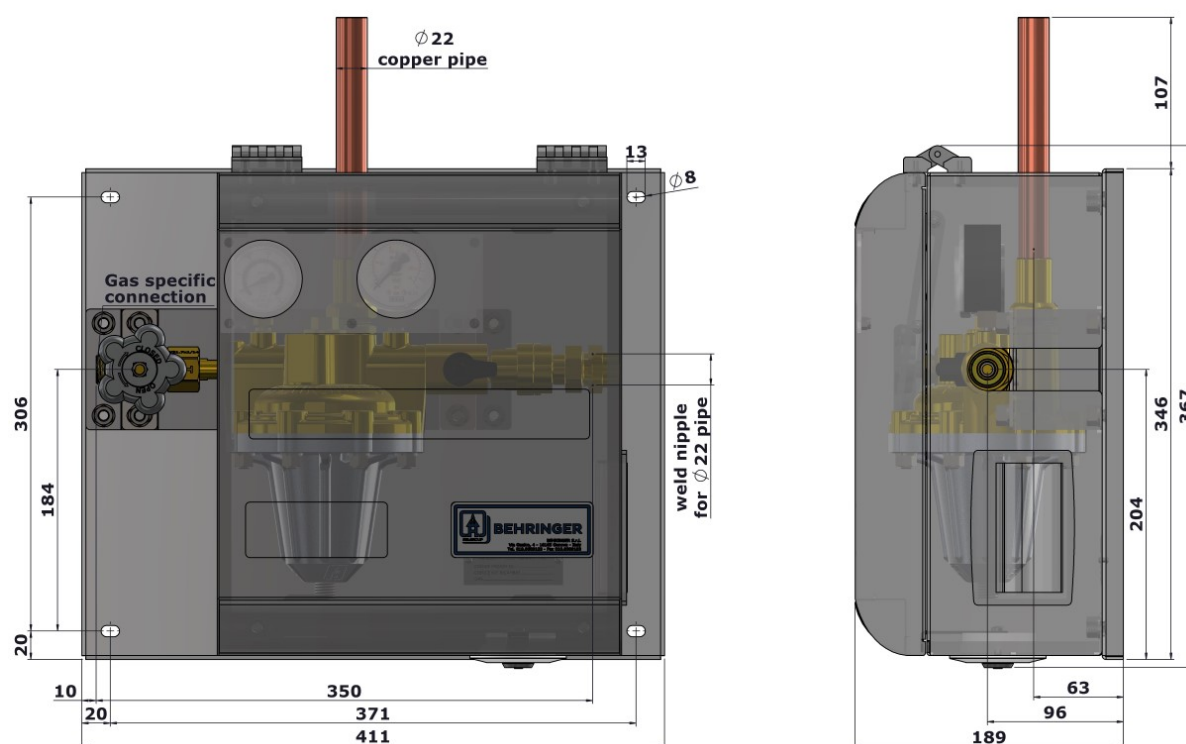
Product codes

GAS	CODE	N. REPERTORY
OXYGEN	HQ125	1249418/R
AIR	HQ126	1249419/R
NITROGEN OXIDE	HQ127	1249420/R
CARBON DIOXIDE	HQ128	1249421/R
NITROGEN	HQ129	1249422/R

Technical data

CODE	Q max.	P ₁ max.	P ₂	CONNECTION	WIDTH	HEIGHT	DEPTH	WEIGHT
HQ125	150 Nm ³ /h	200 bar	7,5 bar	W21,7x1/14" 'A'	410 mm	400 mm	200 mm	16,0 kg
HQ126	150 Nm ³ /h	200 bar	7,5 bar	W30x1/14" 'A'	410 mm	400 mm	200 mm	16,0 kg
HQ127	150 Nm ³ /h	200 bar	7,5 bar	G3/8" 'A'	410 mm	400 mm	200 mm	16,0 kg
HQ128	150 Nm ³ /h	200 bar	7,5 bar	W27x2 'A'	410 mm	400 mm	200 mm	16,0 kg
HQ129	150 Nm ³ /h	200 bar	7,5 bar	W21,7x1/14" 'B'	410 mm	400 mm	200 mm	16,0 kg

Technical Images



Behringer S.r.l. via Gualco 4, 16165 Genova ITALY

T +39 010 8309103

F +39 010 8309183

e-mail info@behringer.it

C.F. e P.I. 01167840998

